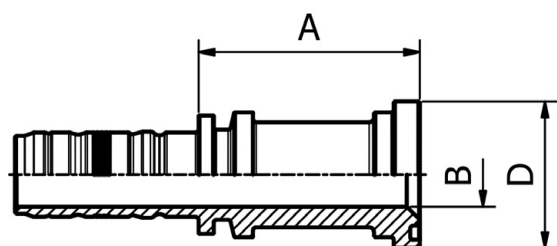


SAE STANDARD CONNECTIONS

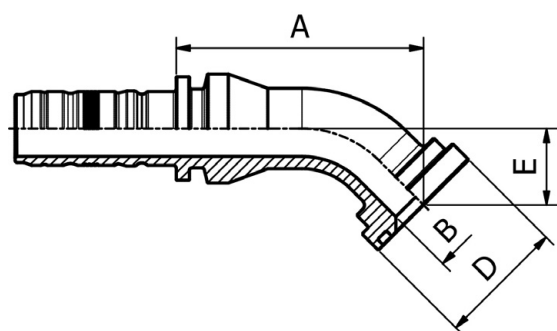


M83311

ISO / SAE
CODE 61 FLANGE
SAE J516 / ISO 12151-3

PART. REF.	HOSE BORE			Flange	DIMENSIONS mm							
	DN	Dash	inch		inch	B	A	D				
M83311-12-12	19	- 12	3/4"	3/4"		14.5	66.5	38.0				
M83311-12-16	19	- 12	3/4"	1"		19.5	52.5	44.6				
M83311-16-12	25	- 16	1"	3/4"		14.5	67.5	38.0				
M83311-16-16	25	- 16	1"	1"		19.5	67.5	44.6				
M83311-16-20	25	- 16	1"	1.1/4"		26.0	53.5	51.0				
M83311-20-16	31	- 20	1.1/4"	1"		19.5	69.0	44.6				
M83311-20-20	31	- 20	1.1/4"	1.1/4"		26.0	75.0	51.0				
M83311-20-24	31	- 20	1.1/4"	1.1/2"		32.0	60.0	60.5				
M83311-24-24	38	- 24	1.1/2"	1.1/2"		32.0	78.5	60.5				
M83311-24-32	38	- 24	1.1/2"	2"		42.0	60.5	71.6				
M83311-32-32	51	- 32	2"	2"		42.0	82.5	71.6				
M83311-40-40	63	- 40	2.1/2"	2.1/2"		51.5	93.0	84.3				
M83311-48-48	76	- 48	3"	3"		62.5	88.5	101.6				
M83311-56-56	89	- 56	3.1/2"	3.1/2"		76.0	98.5	114.3				
M83311-64-64	102	- 64	4"	4"		89.0	105.0	127.0				

FITTINGS 234



SAE STANDARD CONNECTIONS

M83341

45° ISO / SAE
CODE 61 FLANGE
SAE J516 / ISO 12151-3

PART. REF.	HOSE BORE			Flange	DIMENSIONS mm								
	DN	Dash	inch		inch	B	A	D	E				
M83341-12-12	19	- 12	3/4"	3/4"		16.0	78.0	38.0	24.5				
M83341-12-16	19	- 12	3/4"	1"		19.5	78.0	44.6	24.5				
M83341-16-12	25	- 16	1"	3/4"		16.0	90.5	38.0	24.5				
M83341-16-16	25	- 16	1"	1"		19.5	86.5	44.6	26.5				
M83341-16-20	25	- 16	1"	1.1/4"		26.0	92.0	51.0	32.0				
M83341-20-16	31	- 20	1.1/4"	1"		19.5	90.5	44.6	26.5				
M83341-20-20	31	- 20	1.1/4"	1.1/4"		26.0	87.5	51.0	29.0				
M83341-20-24	31	- 20	1.1/4"	1.1/2"		32.0	88.5	60.5	30.0				
M83341-24-24	38	- 24	1.1/2"	1.1/2"		32.0	102.5	60.5	38.0				
M83341-24-32	38	- 24	1.1/2"	2"		42.0	102.5	71.6	38.0				
M83341-32-32	51	- 32	2"	2"		42.0	143.5	71.6	52.0				
M83341-40-40	63	- 40	2.1/2"	2.1/2"		49.2	131.0	84.3	44.5				
M83341-48-48	76	- 48	3"	3"		59.0	147.0	101.6	53.0				